

"I've stopped falling!"

Finally! a walking aid for Parkinson's

Designed for Parkinson's Disease!

• **Stability**

We created the **U-Step Walking Stabilizer** to increase your independence. The secret is in our patented U-shaped base. Its ultra-stable foundation braces you in every direction. It is not like pushing a walker. Instead, the **U-Step** surrounds you and moves with you. You will feel as stable as you would feel holding onto another person's arm.

• **Safety**

The innovative braking system is easy to use and puts you in complete control. The **U-Step** will not roll unless you are ready to walk. When you lightly squeeze a hand brake, the unit will roll with you. Once you release the hand brake the unit will stop immediately. This feature is particularly helpful when standing up from a chair because, the unit will **not** roll away from you.

- **Rolls easily**
- **Improves posture**
- **Improves walking stride**
- **Rolling resistance control**
- **Folds for transport**
- **Easy turning**

"I recommend the U-Step. It is useful for patients with balance problems, because of its wide base."

— Abraham Lieberman, M.D.,
Medical Director, National Parkinson
Foundation, Miami, FL

Note: None of the physicians or therapists quoted in this material have any financial interest in selling the U-Step.



"For me it is wonderful. It keeps me from falling and enables me to walk, and thus exercise my legs. I no longer have to have help to walk."
— Mrs. L.D. McDade

Optional feature:
red button for operating
LaserLight™



Laser Light™ helps prevent freezing

If you suffer from freezing episodes, *U-Step* has a solution. Introducing *LaserLight™* an exclusive optional feature of the *U-Step*. Simply press the red button on the handlebar and a **bright red laser line** is projected on the floor for you to step over. See *projected line illustrated on back page*. It is amazing! Our laser offers an entirely safe, obstacle-free, visual cue that helps you break the "freezing episode," and walk normally with increased stride length.

"My father shows off the laser to all his cohorts with Parkinson's. He says that if you can throw down a pencil and step over it, the laser will work for you. He does not use the urinal at the side of his bed in the middle of the night any more. With the *U-Step* and the laser he can make it to the washroom."

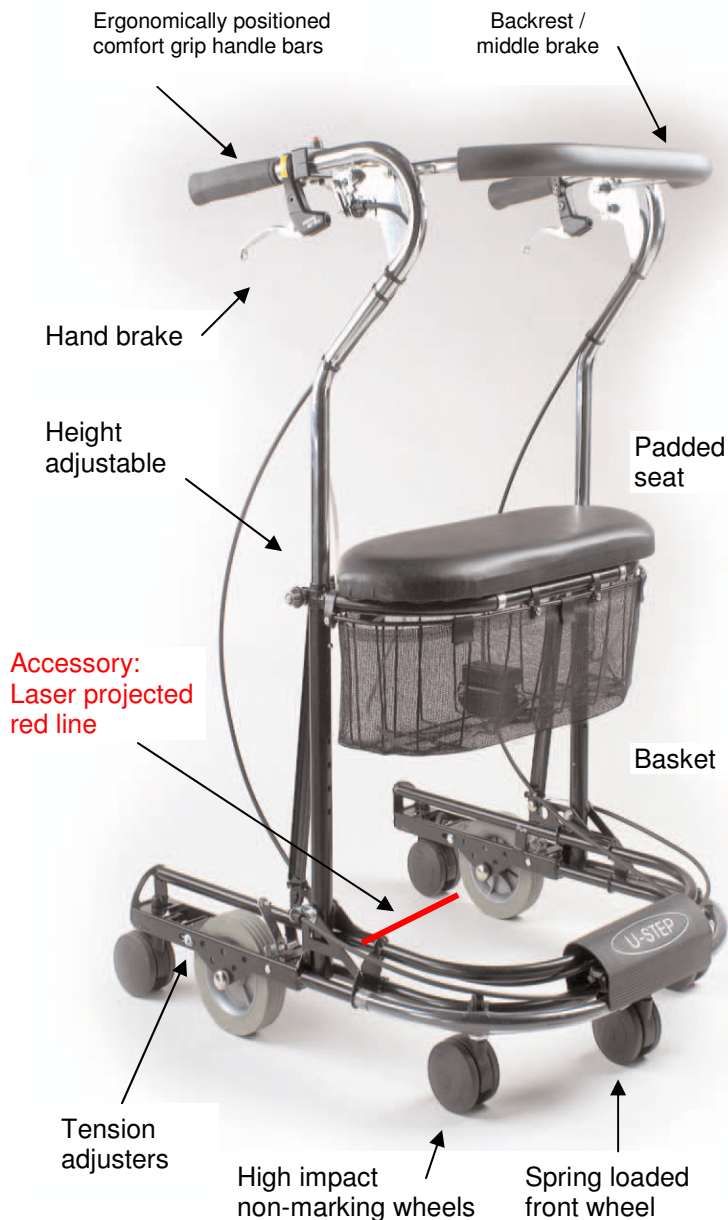
— Dr. Carlo Klott, M.D., Austin, TX

To order or for further information,
please call **Attainability UK Ltd**
on **01743 245277**
or email: info@attainability.co.uk

Please call or see website for
details of prices

Prices shown on website **include**
delivery but can be changed without
notification

All the features you wanted in an advanced walker!



U-Step Walking Stabiliser Specifications

Weight capacity.....	26 stones (170kg)
Height adjustment range.....accommodates user 5'1" to 6'1" (1.55m to 1.86m)
Overall width	23" (58cm)
Width of large padded seat.....	20" (51cm)
Height from floor to seat.....	22" (56cm)
Length.....	25" (64cm)
Turning circle.....	29" (74cm)
Colour choices.....	black or blue
Weight	19 lb (8.6kg)
Material of frame.....	tubular steel
Folded dimensions (approximate).....	36"x22 ¹ / ₂ "x16"(91x57x41cm)

"The braking system is amazing and the laser line gets his coordination back. [The laser] gets him to lift his feet; he drags his feet without the light"

- Mrs. Robert Erickson
Travers City, MI



"Great! Cliff uses the U-Step during his "off" times. He is able to care for himself instead of depending on me for support."

-Mrs Norma Eash



• Tension adjustment

By turning the adjusters at the base of the unit, you can regulate your walking speed. This feature is particularly comforting if you are afraid of a rolling walker "getting away" from you.

Folds for transport



Made in the USA

Recommended at dozens of major Parkinson's centres!
Used by thousands of people with Parkinson's.

Attainability UK Ltd
Killara
Racecourse Lane
Shrewsbury
Shropshire SY3 5BJ
Tel: 01743 245277
email: info@attainability.co.uk



Visit us at:
www.attainability.co.uk